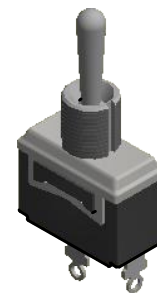
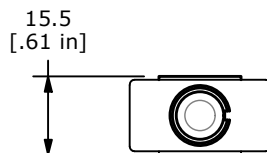
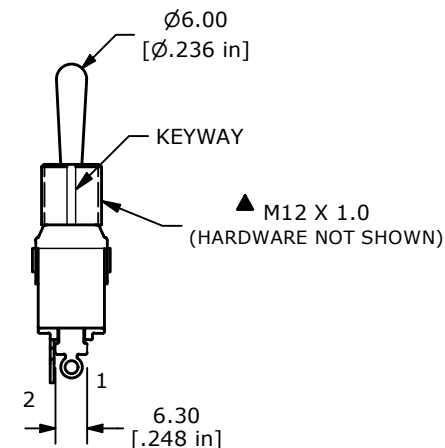
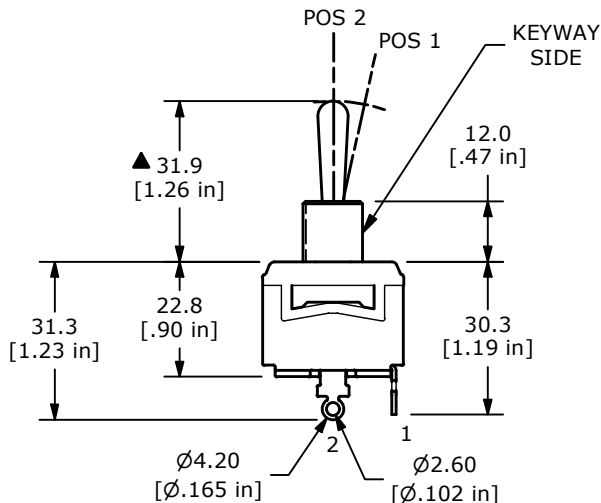


RECOMMENDED PANEL CUT OUT



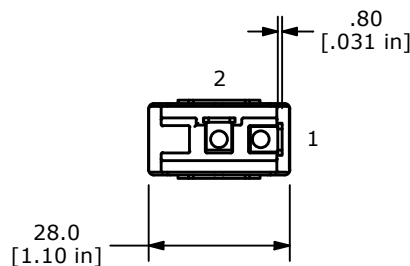
▲ SWITCH FUNCTION		
POS. 1	POS. 2	POS. 3
(ON)	OFF	N/A
1-2	NONE	N/A

(ON) = DENOTES MOMENTARY



NOTES:

- ALL DIMENSIONS IN MM
- GENERAL TOLERANCE: X.X = ±0.5
X.XX = ±0.25
- TERM. NOS. FOR REFERENCE ONLY
- ELECTRICAL LIFE: 6,000 CYCLES
- OPERATING TEMP: 0°C to 85°C
- CONTACT RESISTANCE: 50mΩ MAX. INITIAL
- INSULATION RESISTANCE: 2MΩ AT 500VDC
- DIELECTRIC STRENGTH: 1000VAC FOR 1 MINUTE
- ▲ DENOTES CRITICAL PARAMETER
- CONTACT RATING: 20A 125VAC,
15A 277VAC
1.5HP 125/277VAC
- SUPPLIED HARDWARE: 2 HEXNUTS



OBJECT ID
000001063

C	24486	DRAWING UPDATE CAD TO INVENTOR	9/14/20	MJR
B	19133	CORRECTED PANEL CUTOUT AND SPECS	6/10/10	CAB
REV	PCR NO	DESCRIPTION	DATE	BY

TITLE		ST124D00		
SCALE	DATE	DR	DWG	REV
2:3	2/2/2010	CAB	34-ST124D00	C

THE INFORMATION CONTAINED IN THIS DOCUMENT IS PROPRIETARY TO E-SWITCH AND IS NOT TO BE COPIED OR TRANSFERRED